

# NEW RAIL-PRO **ALU**

**ALLUMINIO - ALUMINIUM  
ALUMINIUM - ALUMINIO**



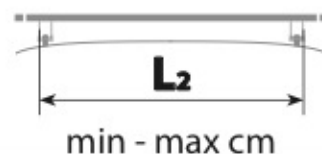
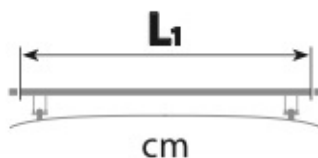
MAX **100** KG

**TUV**  
SÜD

**GS**  
geprüfte  
Sicherheit

TESTATO E CERTIFICATO - TESTED AND APPROVED  
GEPÜFT UND ZERTIFIZIERT

Misura / Size  
Größe



Art. **N15034**



**108**

**72 - 100,5**

Art. **N15035**



**120**

**96 - 112,5**

Art. **N15036**



**127**

**103 - 119,5**

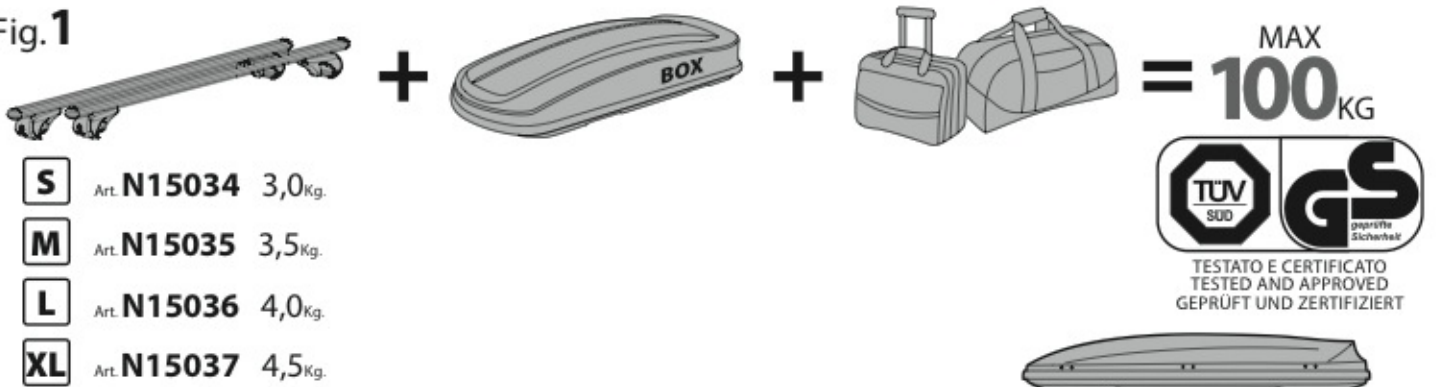
Art. **N15037**



**140**

**104 - 132,5**

Fig.1



max: ???Kg.

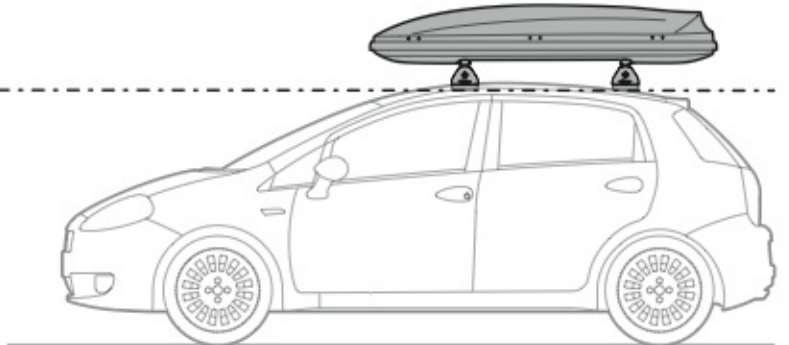


Fig.2

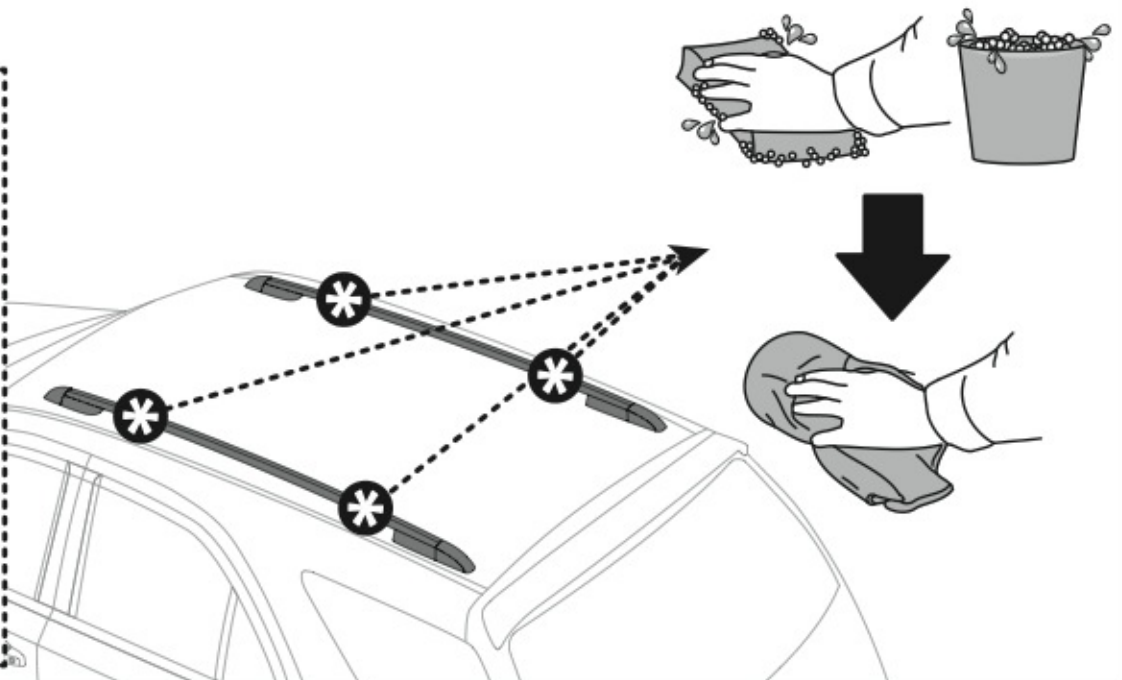


Fig.3

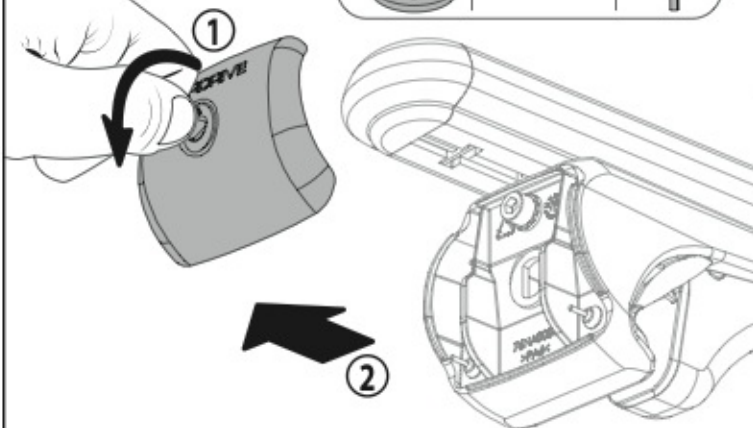
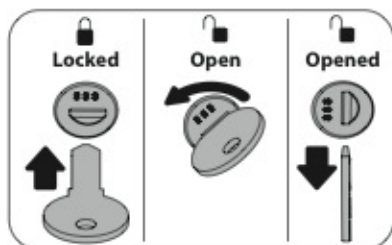


Fig.4

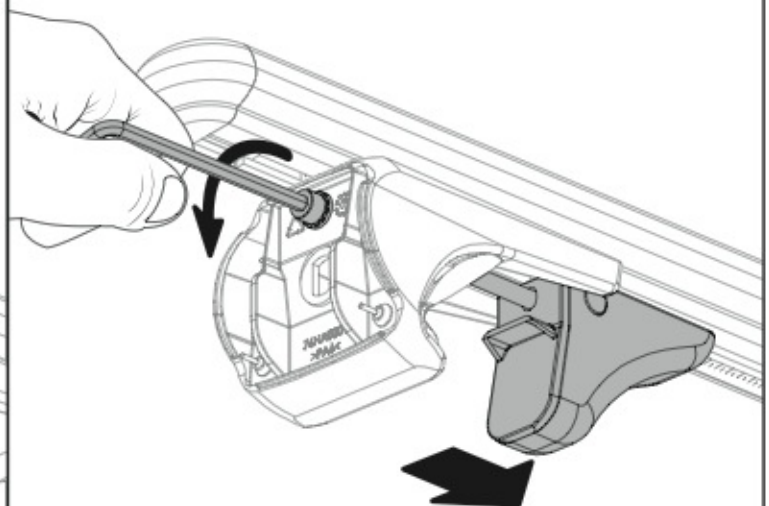


Fig.5

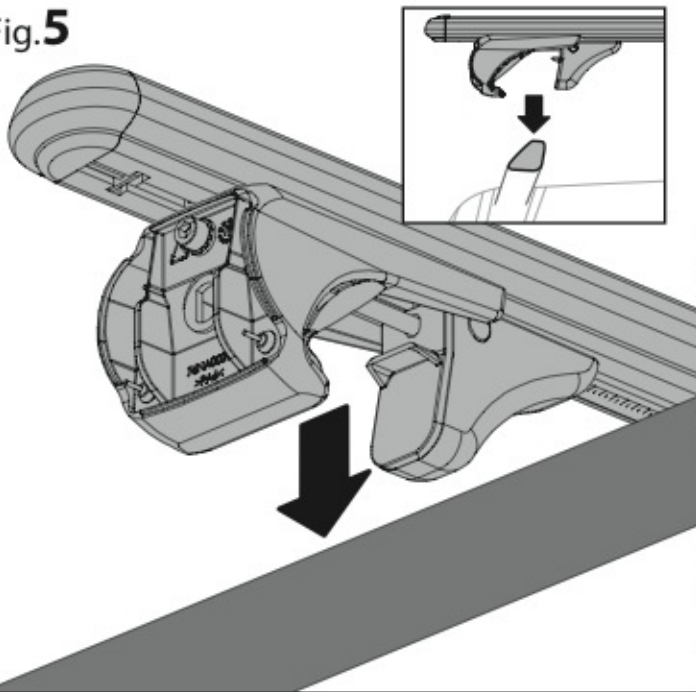


Fig.6

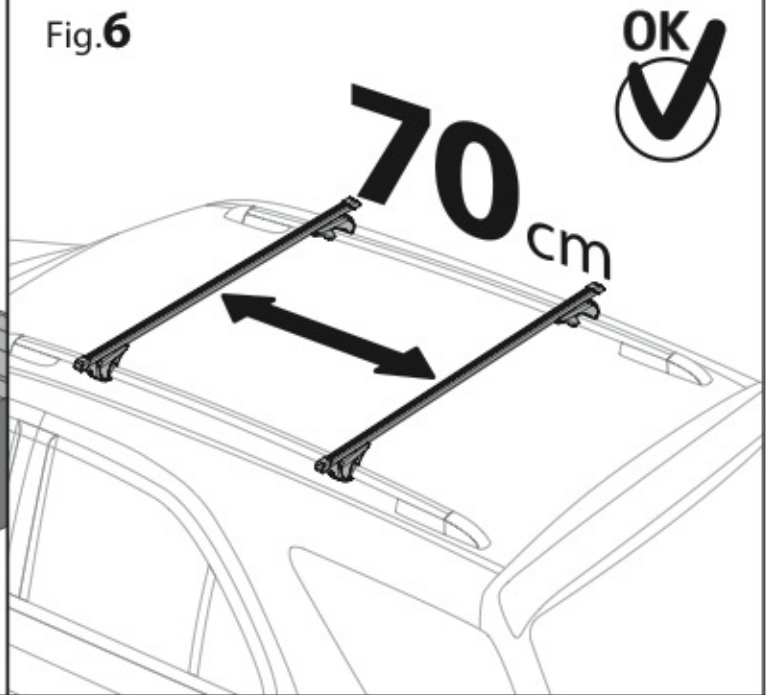


Fig.7

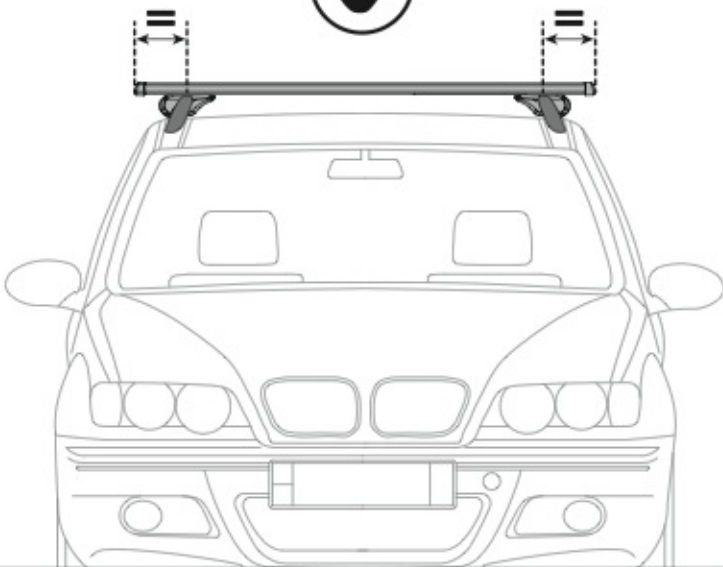


Fig.8

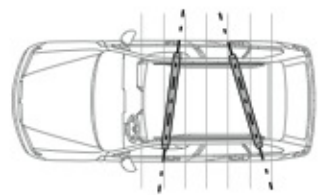
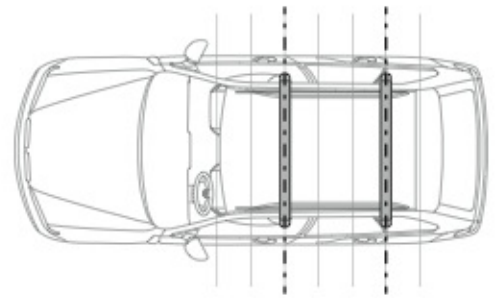
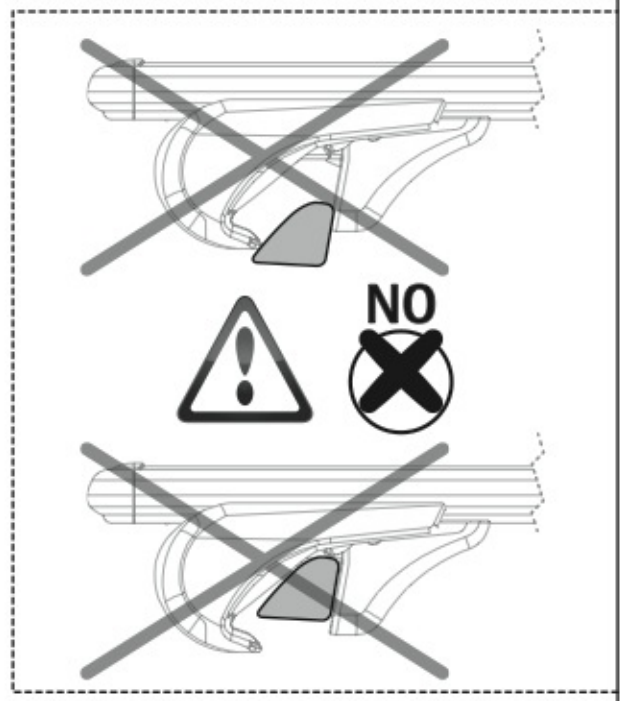
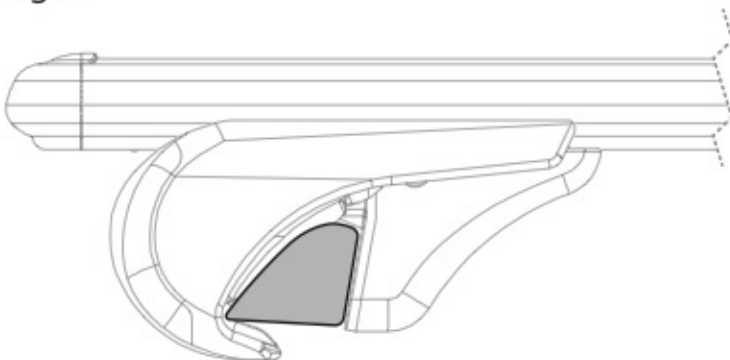
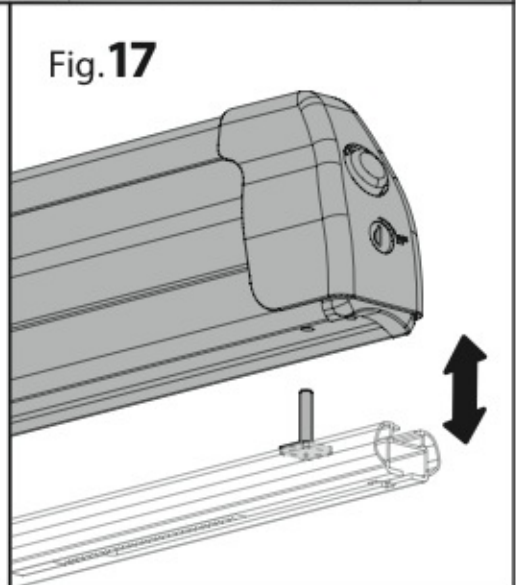
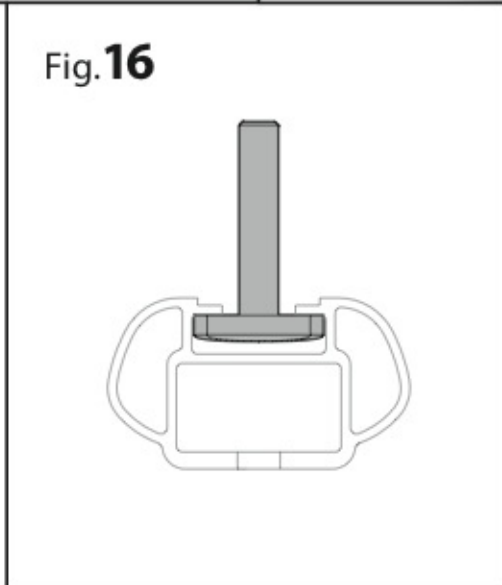
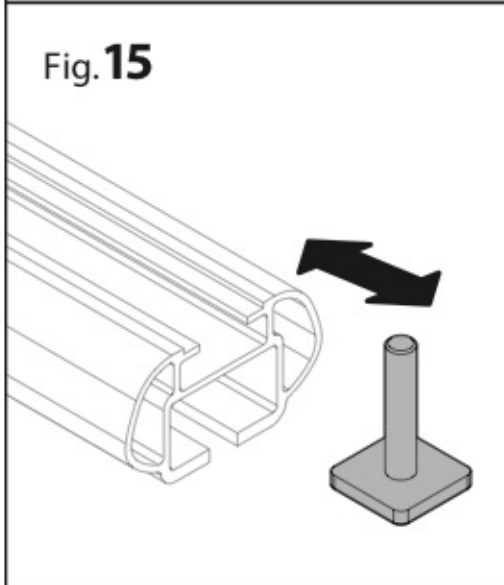
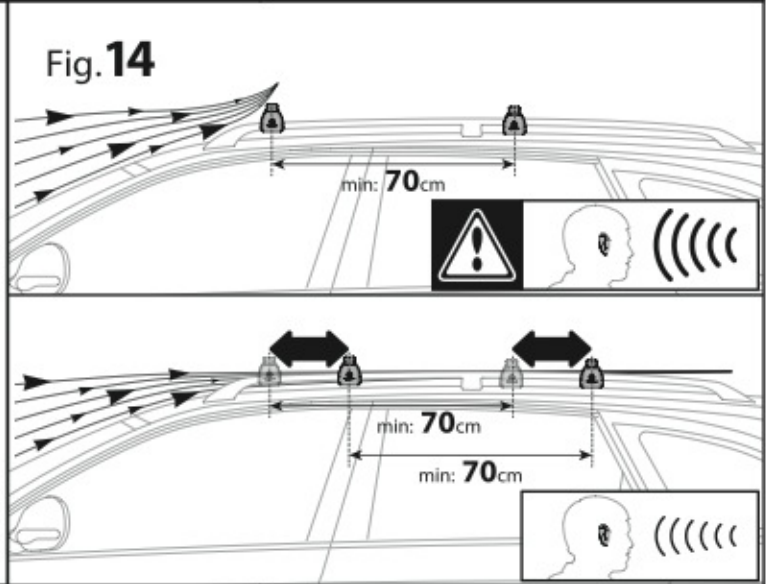
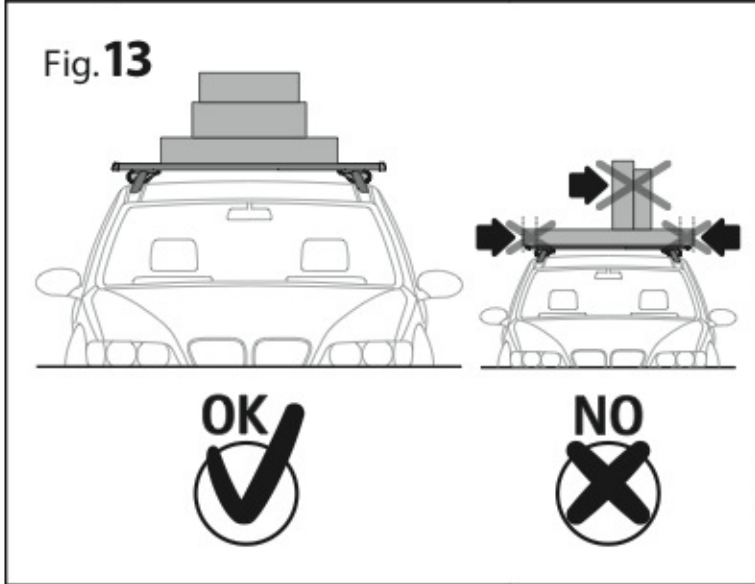
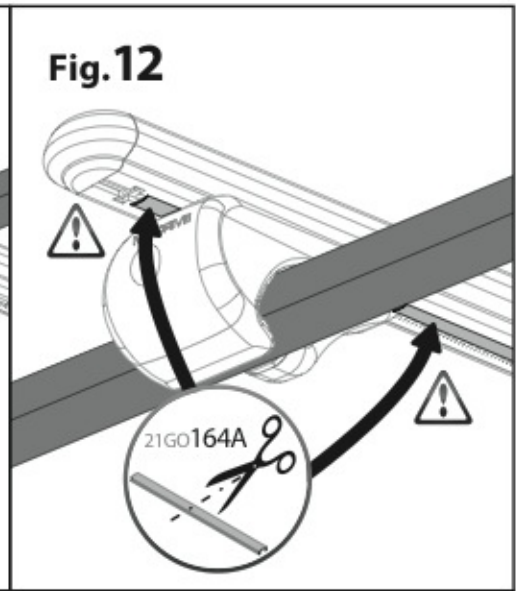
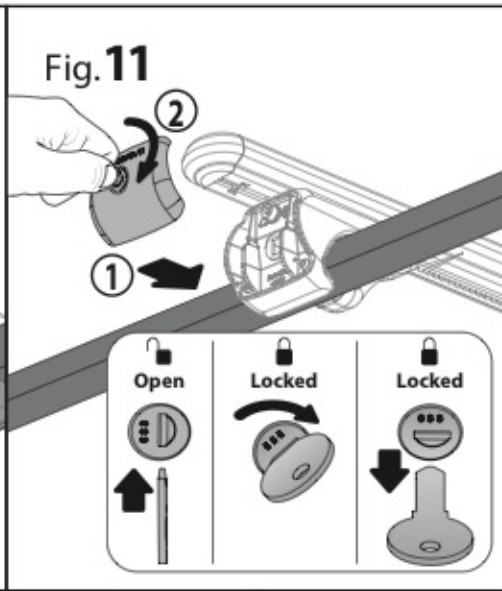
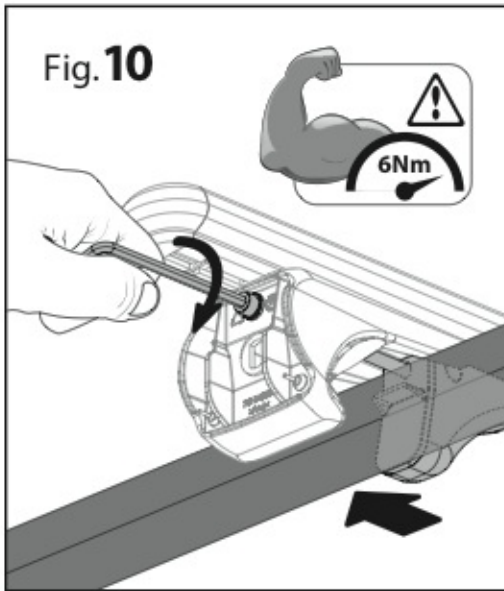


Fig.9





**NORDRIVE®**  
TRANSPORT SOLUTIONS

is a registered trademark of

**LAMPA S.p.A.**

46019 Viadana (MN) ITALY

Ditta certificata UNI ENI ISO 9001:2008

[www.nordrive.it](http://www.nordrive.it) [www.lampa.it](http://www.lampa.it)